

**MACOM**<sup>TM</sup>

*Partners in RF & Microwave*

# SPICE Model



**MAVR-011020-14110 rev B**

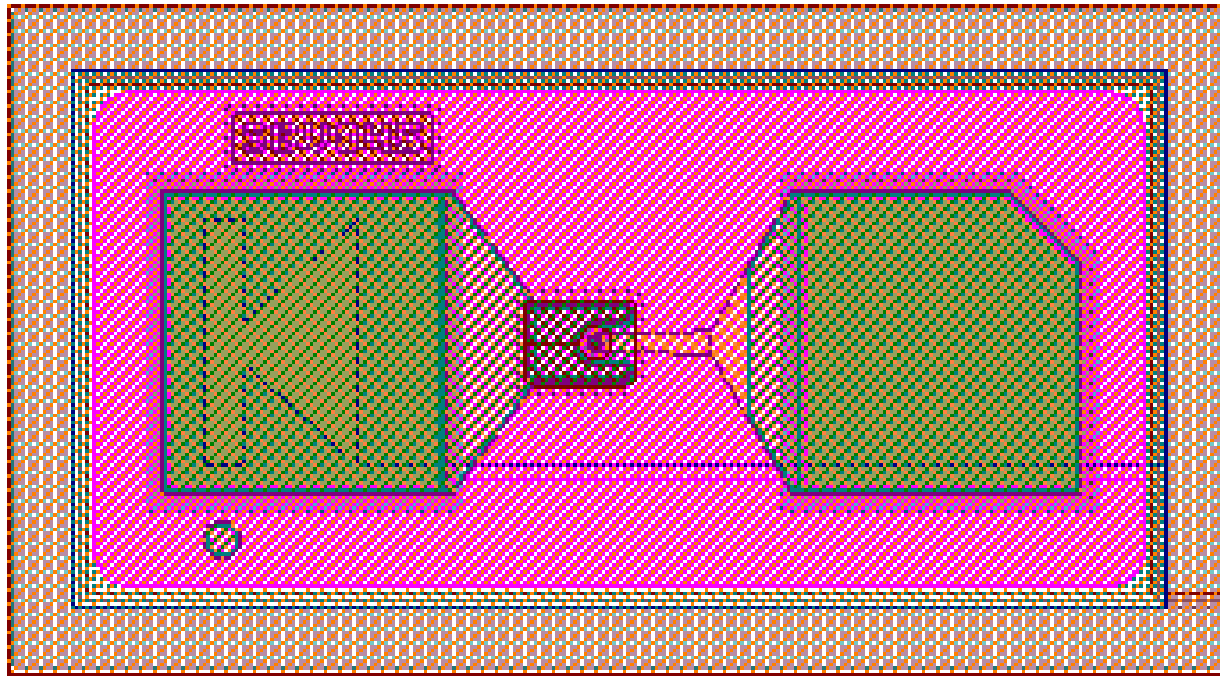
March 12, 2021

# Contents

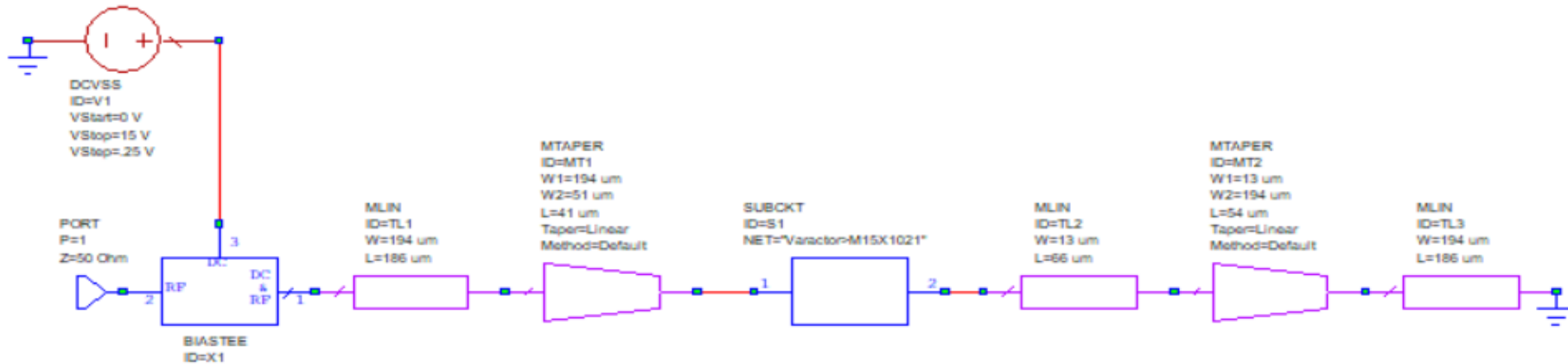
---

- **Outline Drawing**
- **Package**
- **Diode**
- **Results**
  - CV Curve

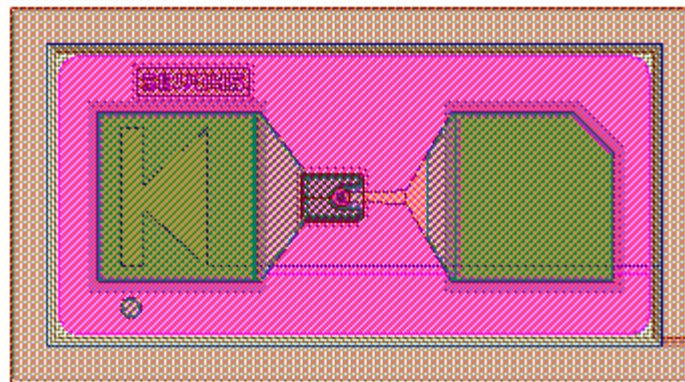
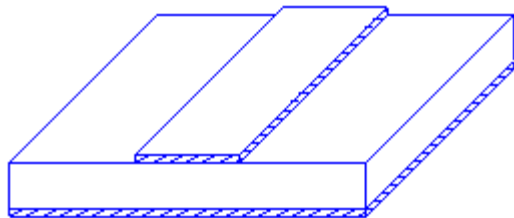
# Outline Drawing



# Package Microstrip Transmission Lines

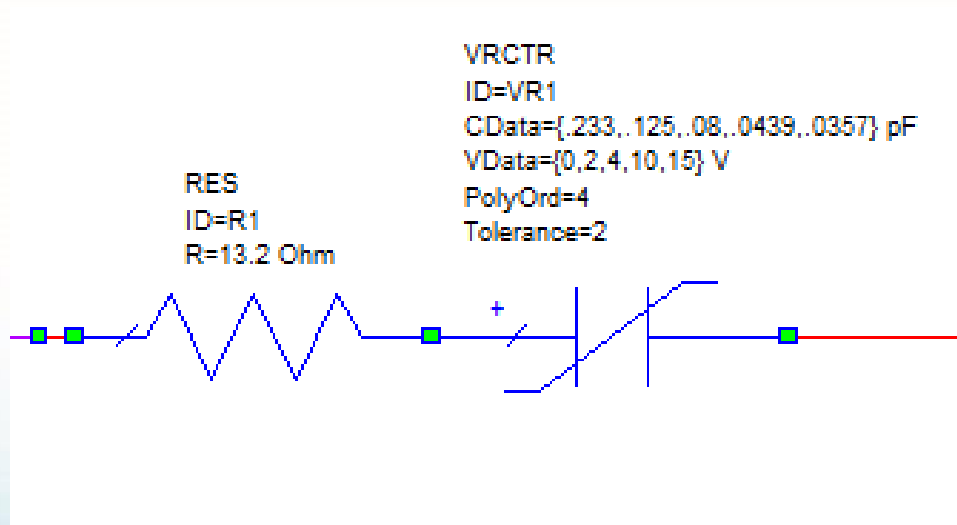


MSUB  
Er=12.9  
H=203 um  
T=.3 um  
Rho=1  
Tand=.00056  
ErNom=12.9  
Name=SUB1



# Diode Model A

- Use 4<sup>th</sup> order polynomial to model non-linear capacitance



# Diode Model B, HSPICE/Netlist



DIM

```
TEMP C
FREQ HZ
RES OH
COND /OH
IND H
CAP F
LNG M
TIME SEC
ANG DEG
VOL V
CUR A
PWR DBM
```

CKT

```
SDIODE 1 2 ID="D1" IS=1e-14 RS=13.2 N=2 TT=3e-09 CJ0=2.33e-13 &
VJ=2.4 M=1 EG=1.42 XTI=3 KF=0 AF=1 FC=0.5 BV=20 &
IBV=1e-05 IKF=0 FFE=1
DEF2P 1 2 "MAVR_011020 1"
```

# CV Curve

